

RoadHawk DVR8000

Technical Data



Specifications

Model	RoadHawk DVR8000
Video format	NTSC / PAL
Operating system	Embedded linux
Power supply	DC 8V~36V
Max power consumption	12W
Video output	1CH output
Audio input	1CH input
Audio output	3CH output
Alarm input	12 alarm inputs
Alarm output	3 Alarms
Display resolution	720 or 1080
PAL	200 FPS
NTSC	240 FPS
Recording resolution NTSC	Max. 30fps@1080p
PAL	Max. 25fps@1080p
Display mode	1, 4 or 8
Display resolution NTSC	720 x 480
PAL	720 x 576
Compression algorithm	H.264
HDD	2 x 2.5" SATA HDD caddy
Backup device	USB Storage or through RoadHawk player
Playback mode search function	Time / Event
Full screen	
LED indicator	4 LED (LAN \ REC \ GPS \ Power)
Buzzer alarm output	Yes
GPS	Yes
G-Sensor	Yes
IR Remote control	Yes
Extended record mode	Yes
Dimension	245mm x 190mm x 71mm
Operation temperature	-40°C ~ +70°C
Weight	3.2kg

JUN18023

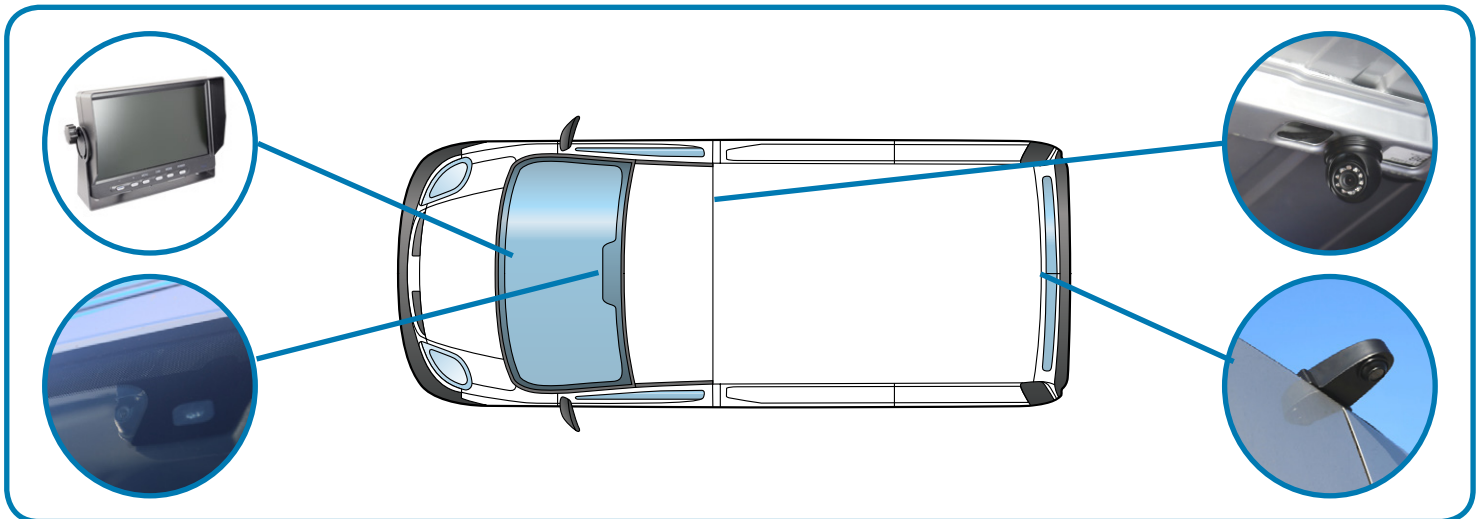
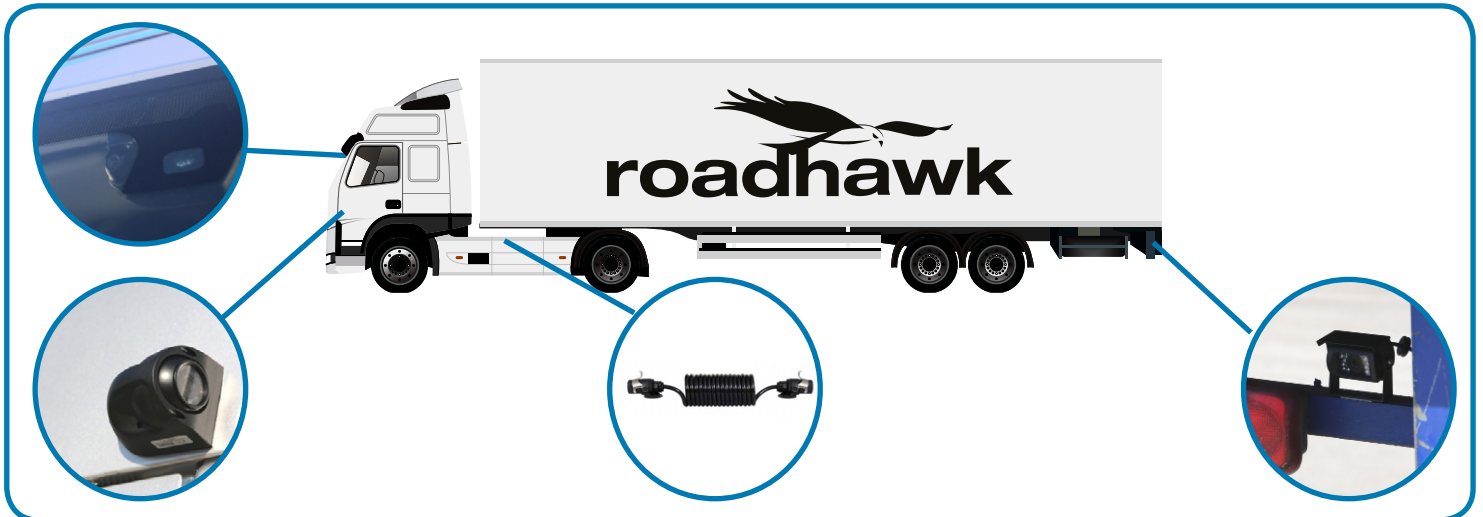
RoadHawk DVR8000

Technical Data

Product details

1-4TB multi-channel vehicle black box recording system. Bespoke video-based recording system that offers up to 360° for 30 days or more.

- Mini USB to transfer video to your computer system
- Recording format: 1080p AHD
- Encrypted video and software to ensure security of recording
- Overall quick search event log
- Date & time stamped video, for evidential purposes
- Automatic operation from ignition
- Option to extend recording after ignition is turned off
- Removable HDD track supplied with or without HDD
- Loop recording overwrites the earliest information as it records
- Variable video compression and HDD options offers the last 30 days + of recording
- Records audio, video, G-sensor data and GPS data



JUN18023

Trakm8 Holdings PLC
4 Roman Park, Roman Way,
Coleshill, Birmingham
West Midlands, B46 1HG

Email: info@trakm8.com
Call: +44 (0) 330 333 4120
Web: www.trakm8.com


roadhawk
A Trakm8 Brand


Trakm8
Data driven insights